

ILLUST is POLAND model.

Please contact with KENWOOD ELECTRONICS BRETAGNE S.A. if you want to have a repair parts.

⚠ Caution: Replace with new PCB ass'y if switching power supply(W02-2725-05) is defective.

DTF-2

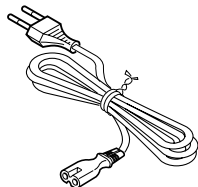
CONTENTS / ACCESSORIES

Contents

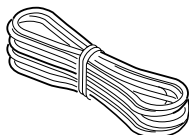
| | | | |
|------------------------------|---|-------------------------|------------|
| CONTENTS / ACCESSORIES | 2 | SCHEMATIC DIAGRAM | 7 |
| CONTROLS | 3 | EXPLODED VIEW | 17 |
| PC BOARD | 4 | PARTS LIST | Back cover |

Accessories

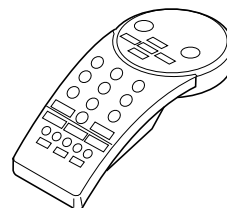
AC power cord(INLET)
(E30-2948-05)



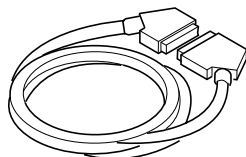
Cord with connector(MODEM)
(E30-) *



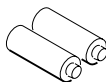
Remote controller ass'y
(A70-) *



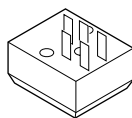
Cord with connector(SCART)
(E30-2916-05)



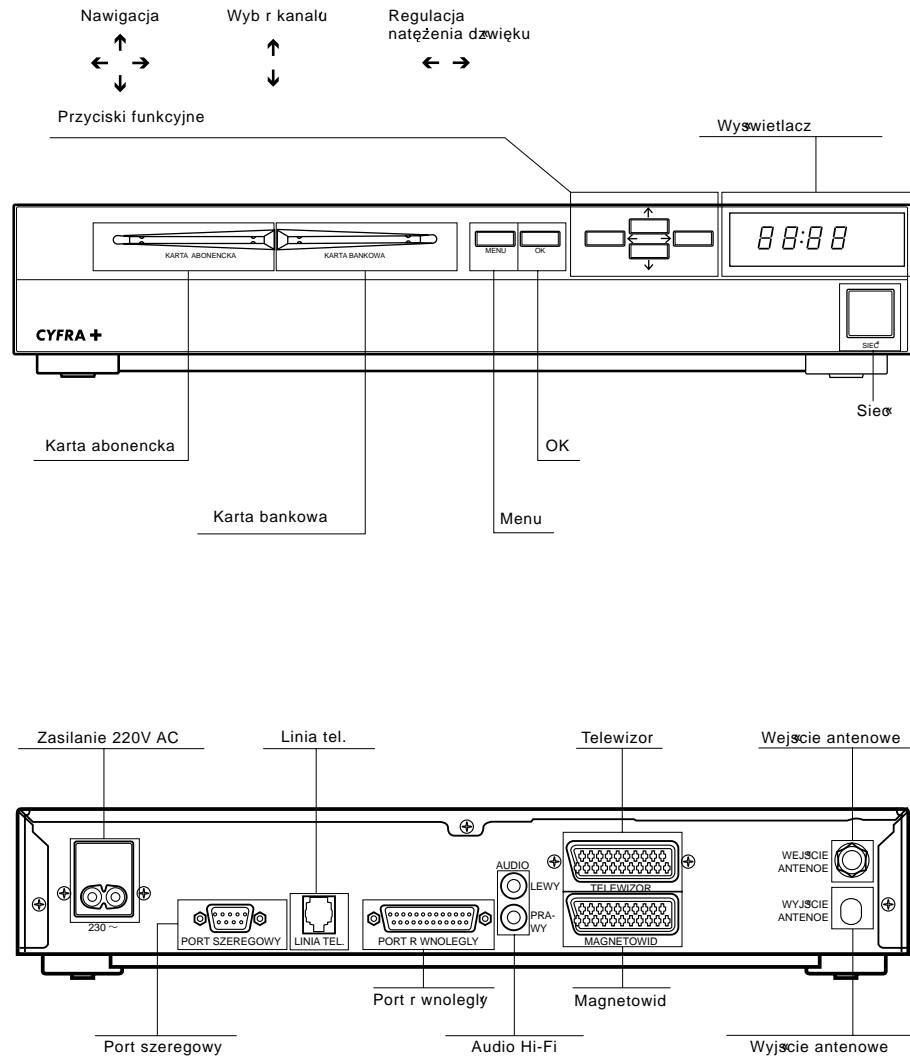
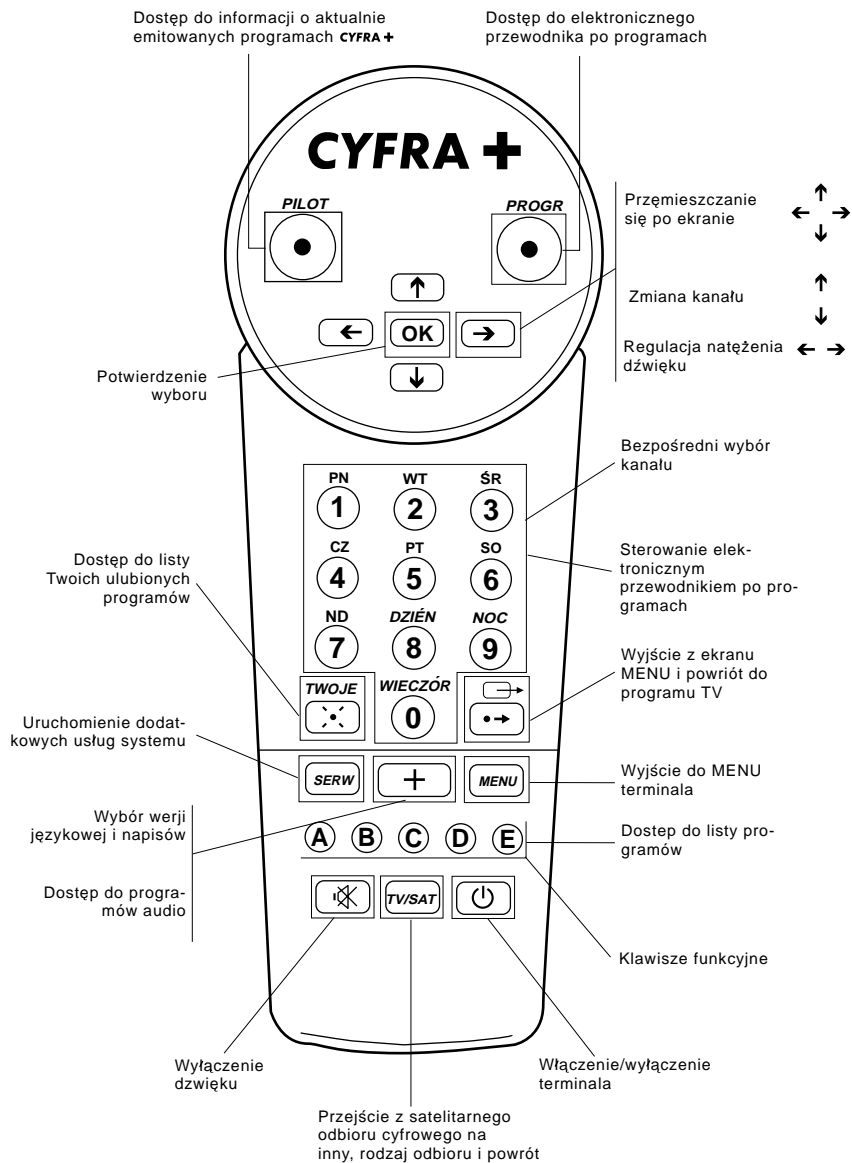
Batteries



Adapter
(W01-) *



* Refer to parts list.

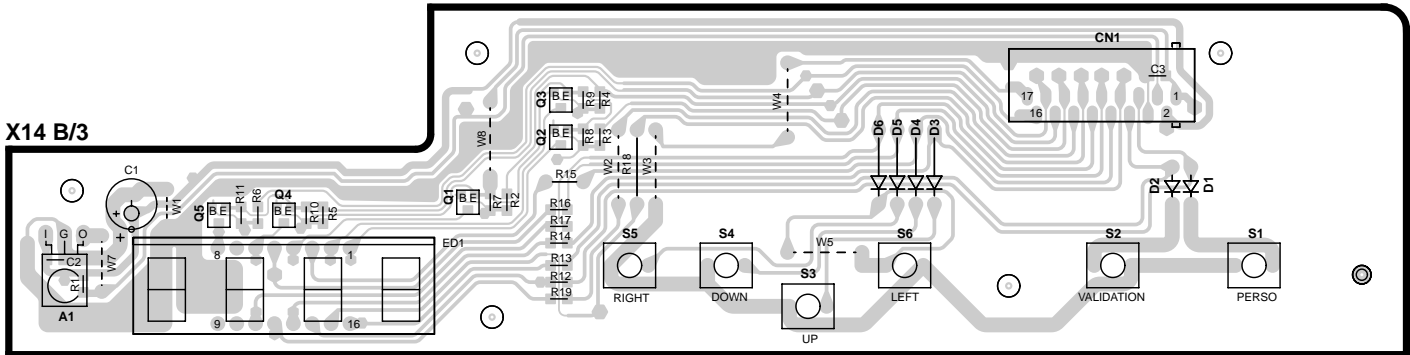


CONTROLS

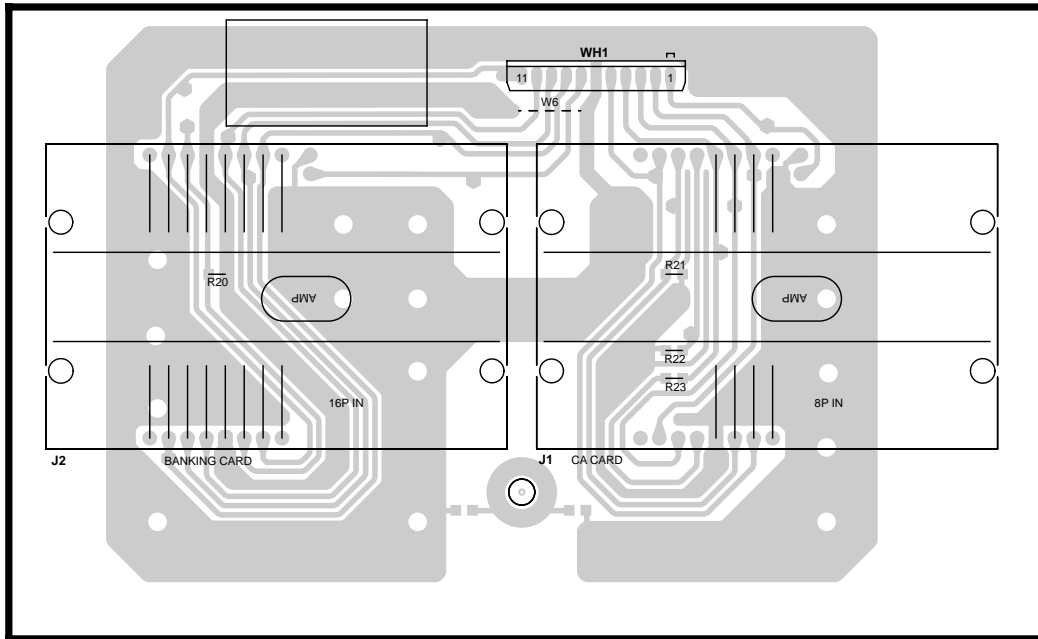
DTF-2

PC BOARD (Component side view)

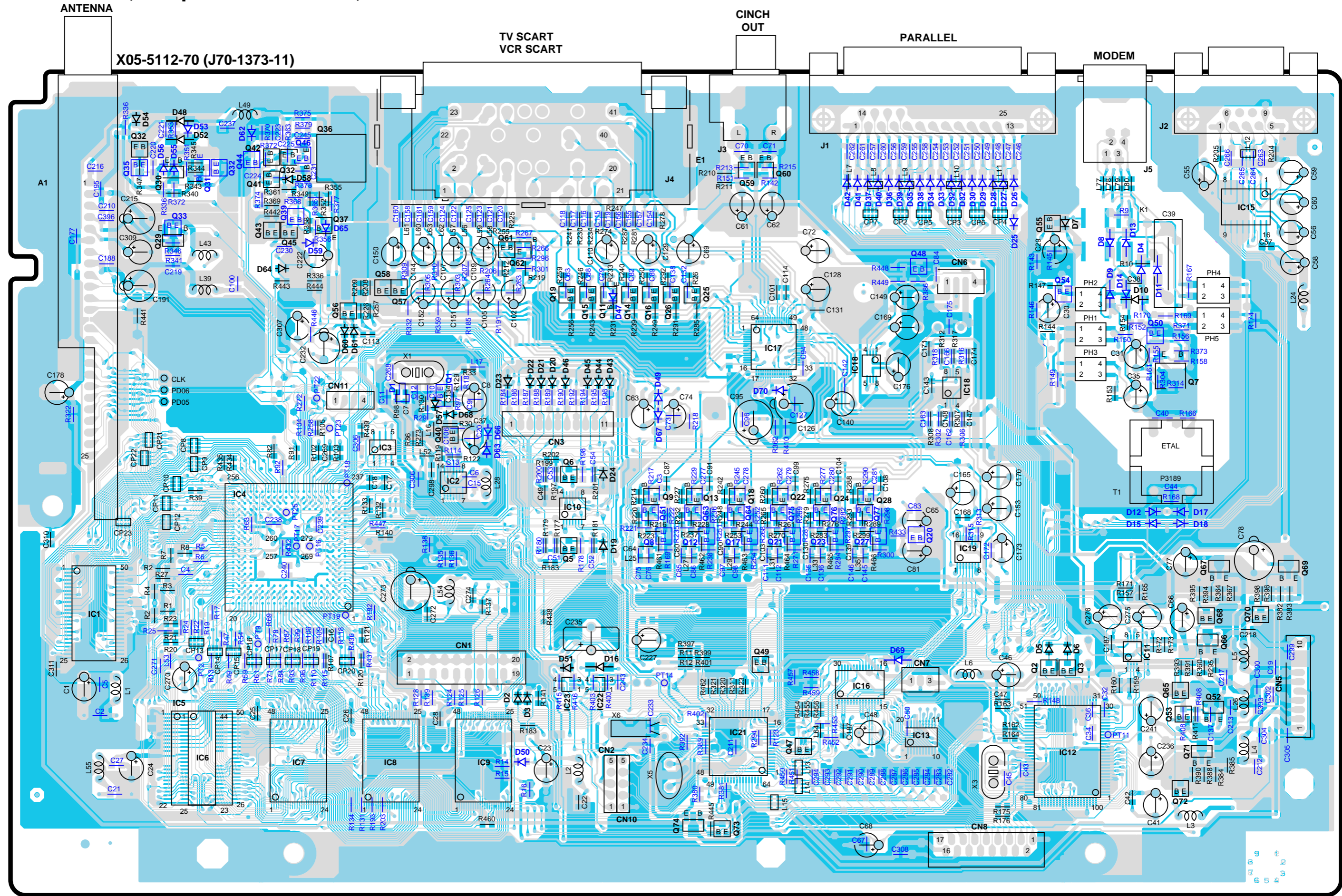
X14 B/3



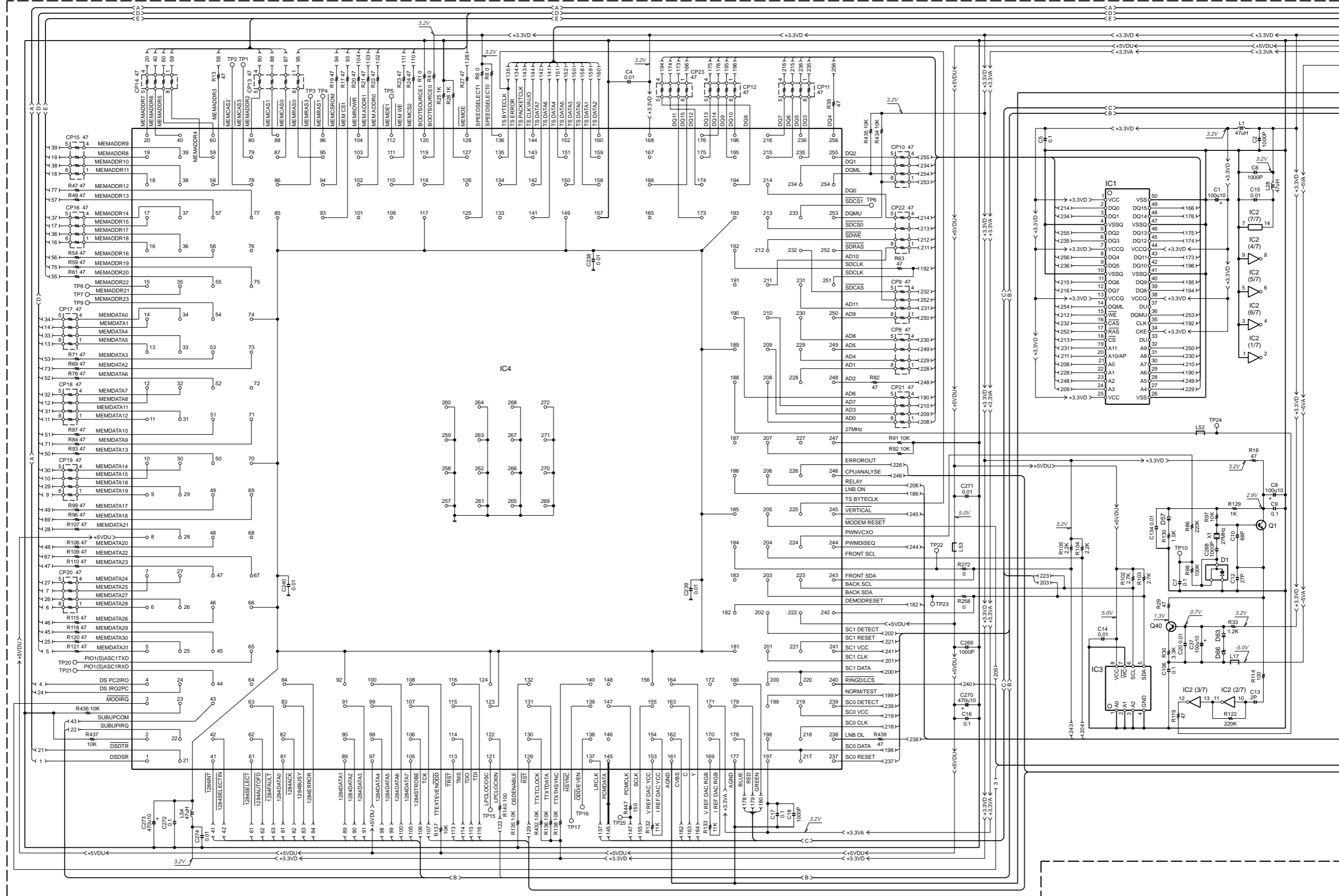
X14-7102-70 A/3 (J70-1374-12)

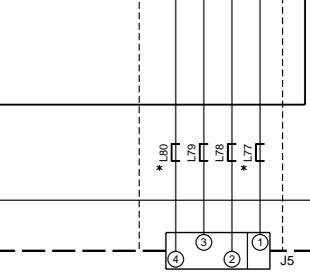
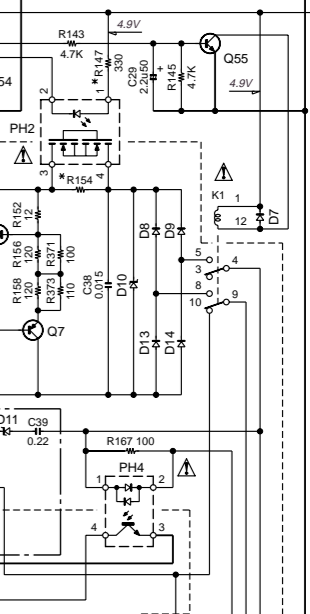
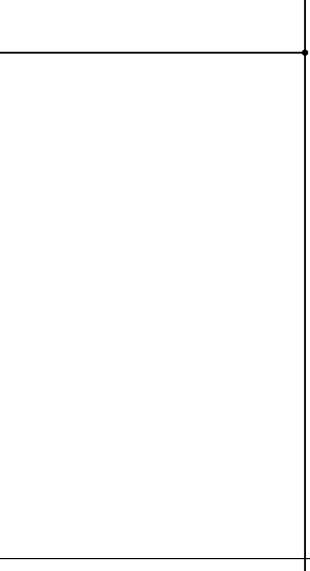
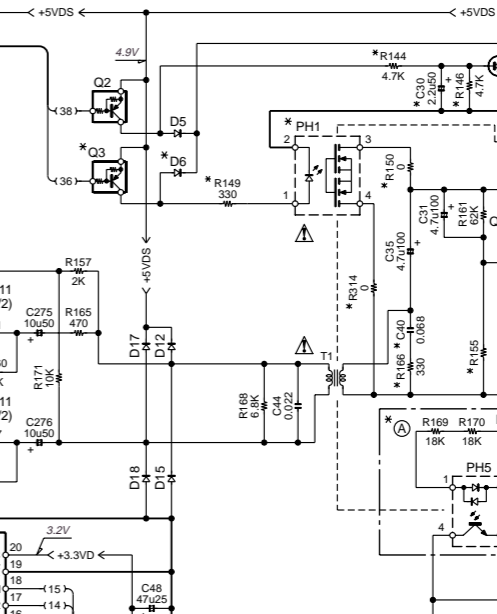
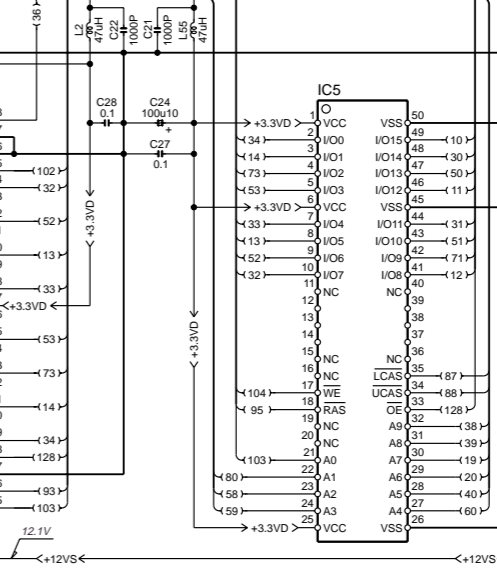
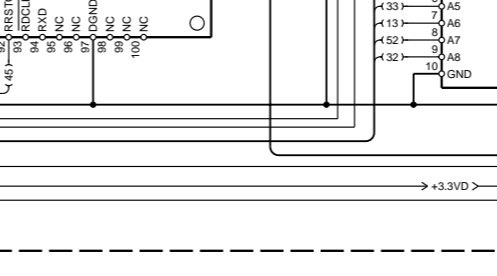
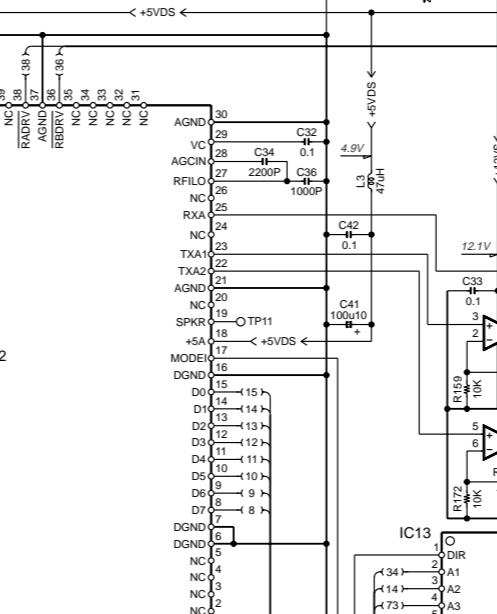
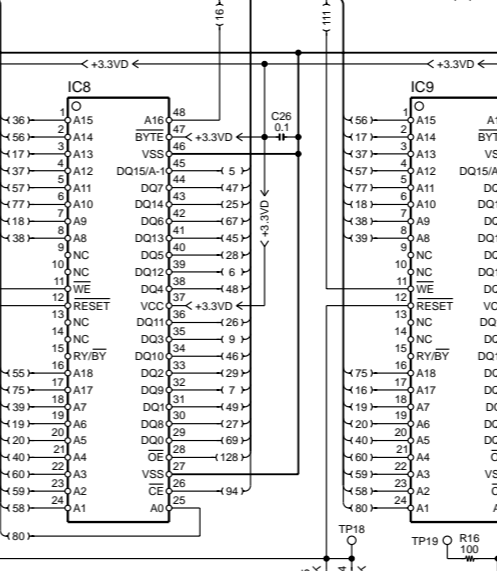
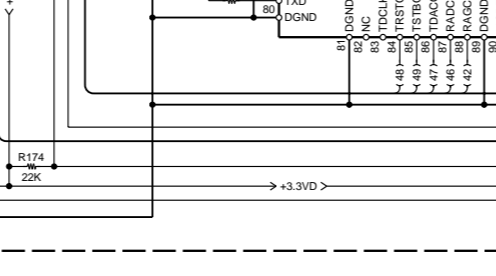
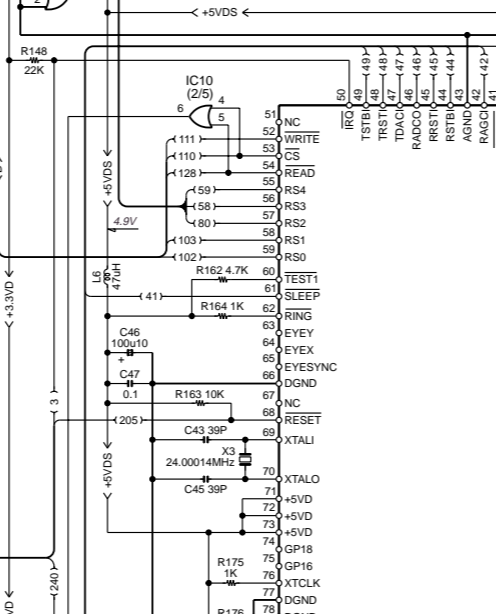
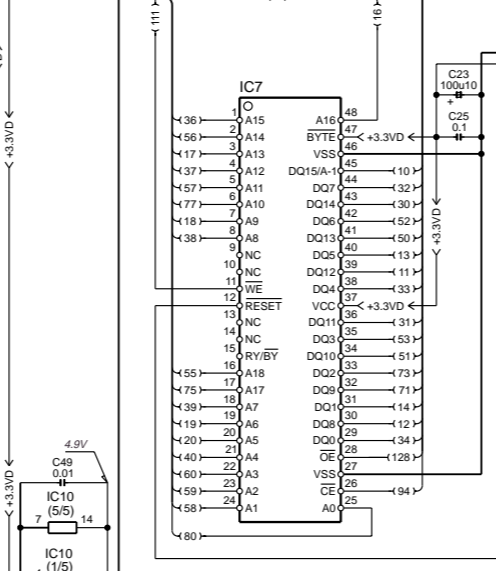
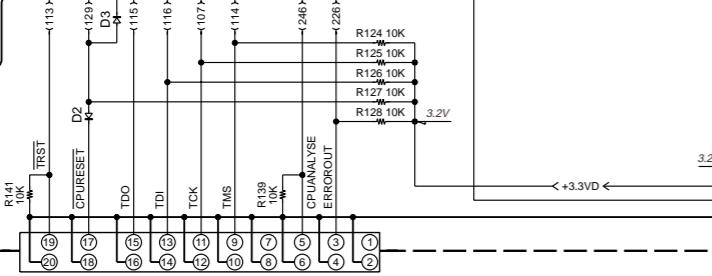
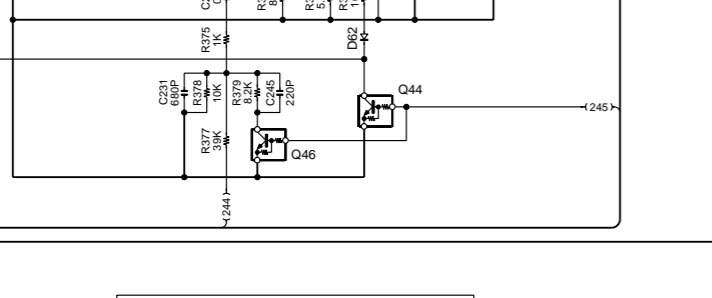
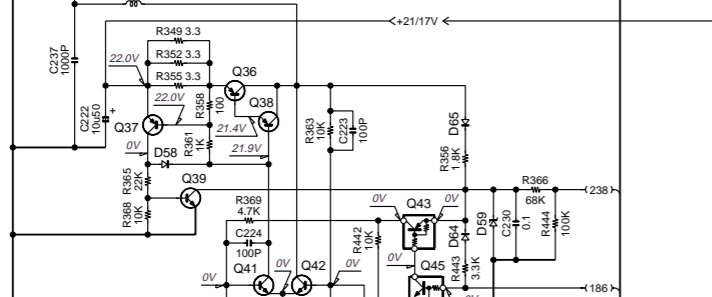
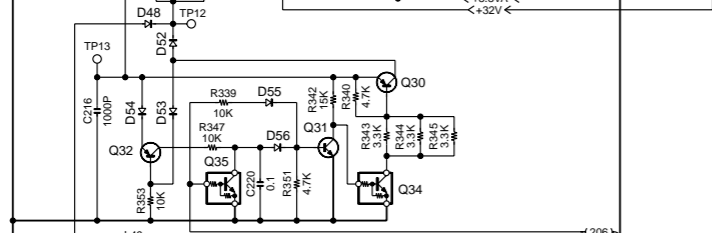
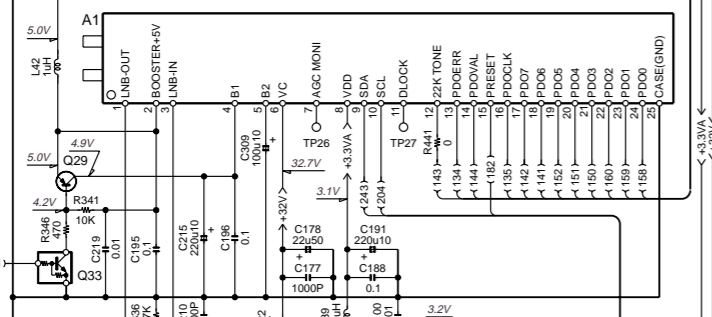
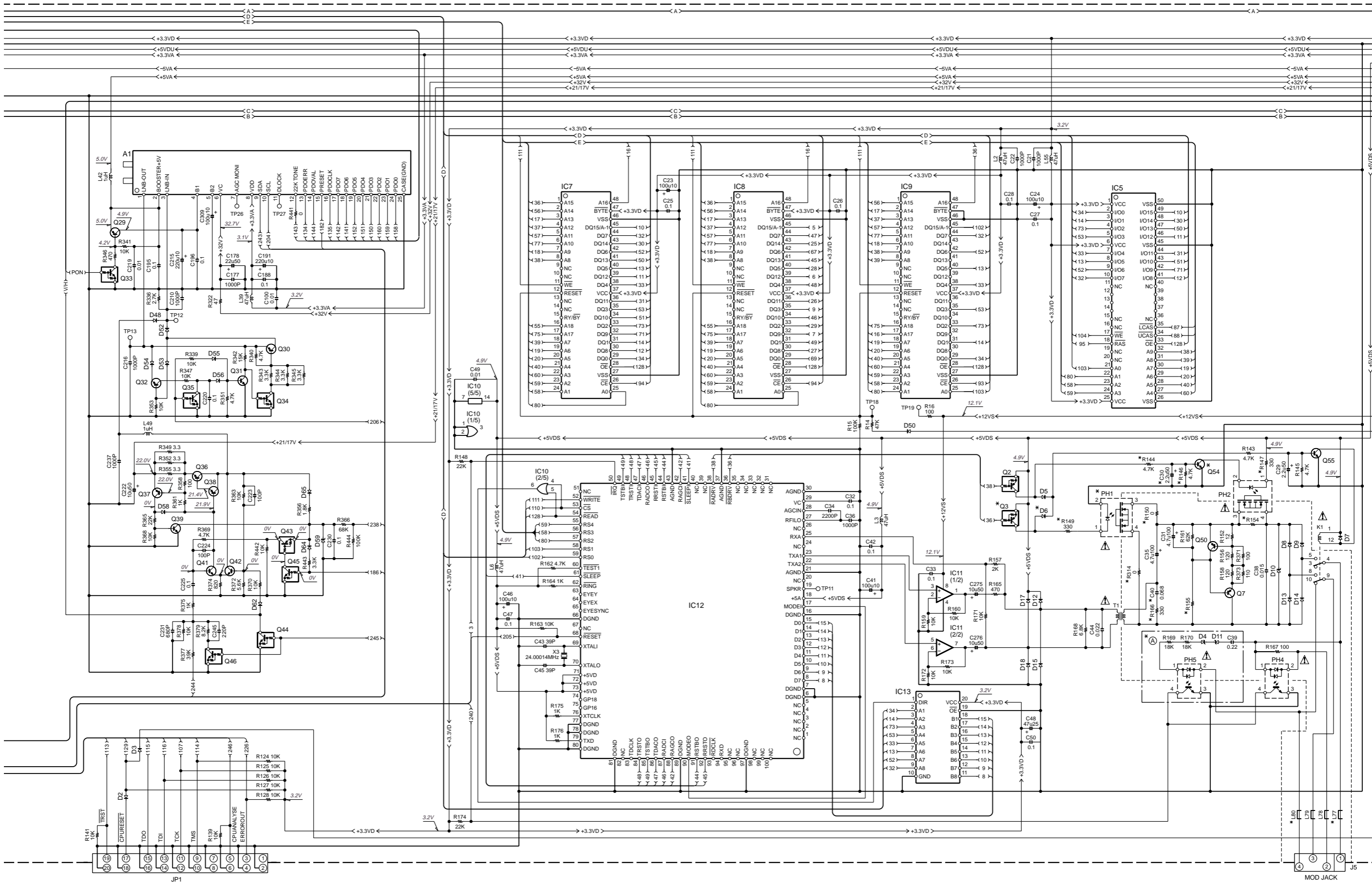


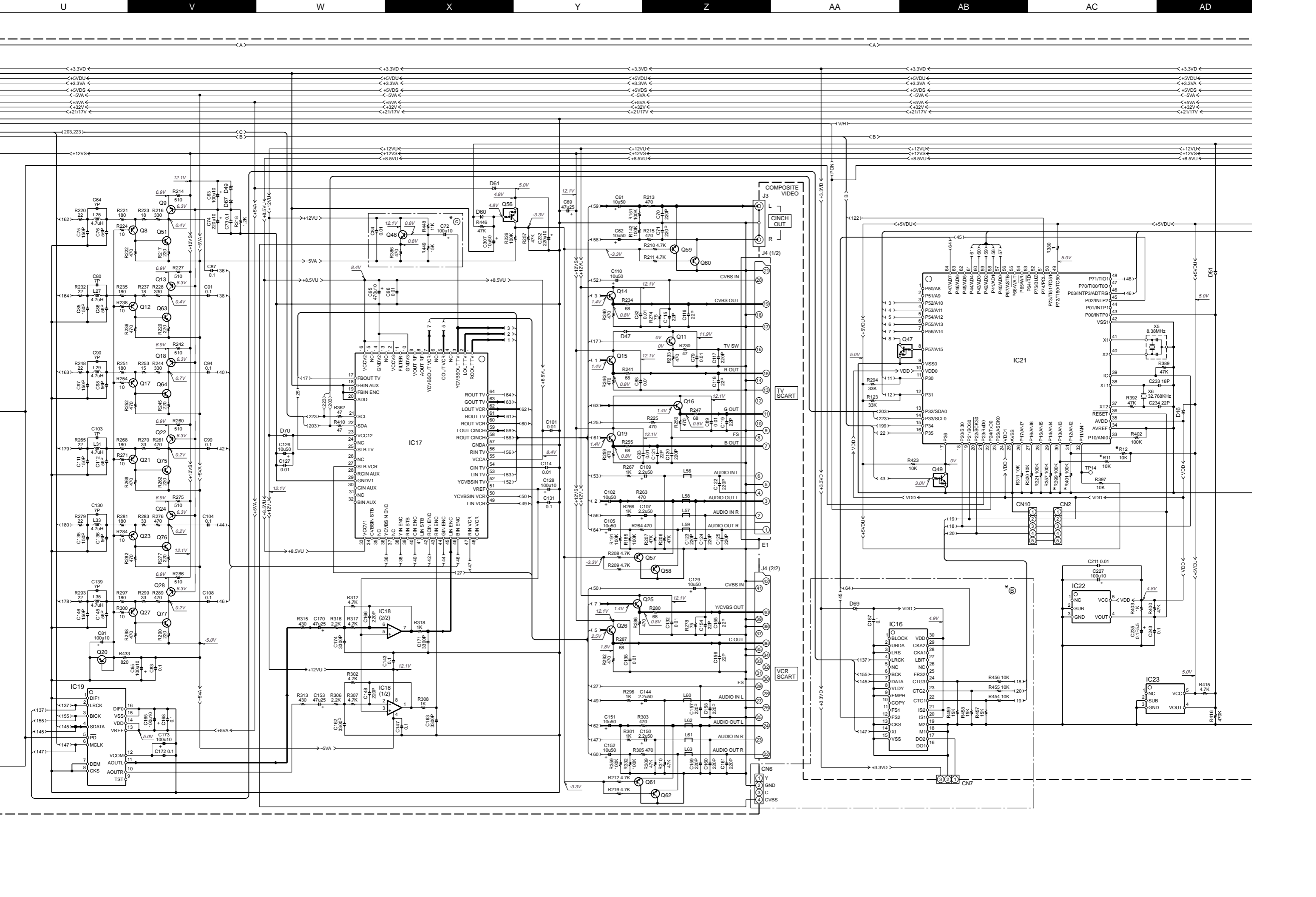
PC BOARD(Component side view)

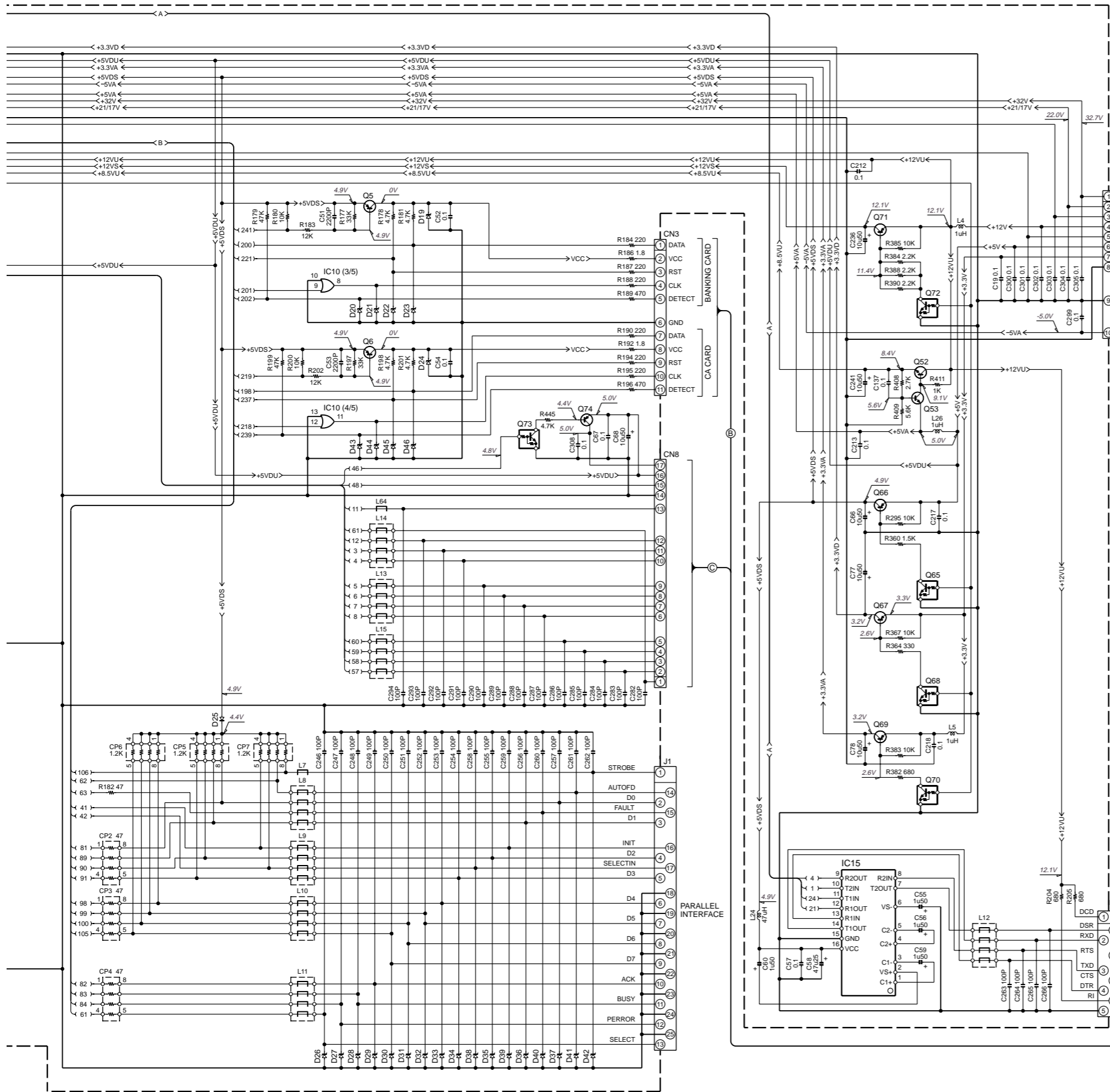


Refer to the schematic diagram for the value of resistors and capacitors.





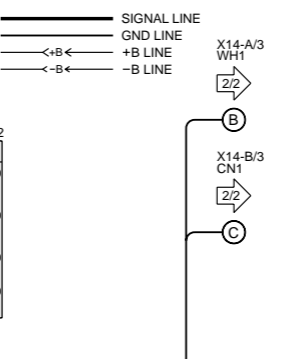




DTF-2 (X05-511X-XX)

| DESTINATION COUNTRY | ABB. | UNIT No. | (A) | (B) | (C) | C30 | C40 | D6 | L77, 80 | PH1,2 | O3, 54 | R11, 12 | R144, 146, 147, 149, 150, 314 | R154 | R155 | R166 | R399, 401 | |
|---------------------|------|-------------|-----|-----|-----|-----|-----|----|---------|-------|--------|---------|-------------------------------|------|------|------|-----------|--|
| FRANCE | F | X05-5112-70 | YES | NO | NO | NO | NO | NO | NO | NO | NO | NO | NO | 0 | 4.7K | YES | YES | |
| ITALY | I | X05-5112-71 | YES | NO | NO | NO | NO | NO | NO | NO | NO | NO | NO | 0 | 4.7K | YES | YES | |
| POLAND | P | X05-5112-72 | NO | NO | NO | NO | NO | NO | NO | NO | NO | NO | NO | 220K | 8.2K | NO | YES | |
| SPAIN | S | X05-5112-73 | YES | NO | NO | NO | NO | NO | NO | NO | NO | NO | NO | 0 | 4.7K | YES | YES | |

- IC1 : KM416S1120DTG8 or MB81F161622B
- IC2 : SN74LV04APW
- IC3 : 24LC32AT/5N or AT24C32N10SC25 or M24C32-WMN1T
- IC4 : ST15510A
- IC5 : AS4LC1M16E5-60
- IC7,8 : AT49LV819290TC or M29W800AB90N1 or AM29LV800BB90E or M29W400B90N1 or 29LV400B90PFTN
- IC9 : SN74LV32APW
- IC11,18 : NJM4580V
- IC12 : RC2324DPL
- IC13 : SN74LV245APW
- IC15 : HIN232CB-T or MAX232DW
- IC16 : TC9271FS
- IC17 : STV6411AD
- IC19 : AK4351
- IC21 : D780021AYGKN05
- IC22 : PST9130NR
- IC23 : PST9142NR
- Q1,11,14,16,19,25,26,31,39-42,48,51,53-55,57-64,75-77 : 2SC4081(R,S)
- Q2,3,43,56 : DTA124EUA
- Q5,6,8,9,12,13,17,18,20-24,27,28,32,37,38,50 : 2SA1576A(R,S)
- Q7 : 2SA1862
- Q29,30,66,67,69,71,74 : 2SB1561
- Q33-35,44-47,49,65,68,70,72,73 : DTC123EUA
- Q36 : 2SA1906(E,F)
- Q52 : 2SD2391
- D1 : KV1471
- D2,3,5-7,12,15,17,18,25,47,50,51,53-58,60-65,67,70 : 1SS355
- D4,11 : PTZ15A
- D8,9,13,14,48 : 1SR154-400
- D10 : SM6T150A
- D16,52,69 : RB161L-40
- D19-24,26-46,49,59,66 : UDZ5.1B
- PH1,2 : AQY210EHX
- PH4,5 : LTV-814S
- A1 : W02-2723-05



CAUTION: For continued safety, replace safety critical components only with manufacturer's recommended parts (refer to parts list). Δ indicates safety critical components. For continued protection against risk of fire, replace only with same type and rating fuse(s). To reduce the risk of electric shock, leakage-current or resistance measurements shall be carried out (exposed parts are acceptably insulated from the supply circuit) before the appliance is returned to the customer.

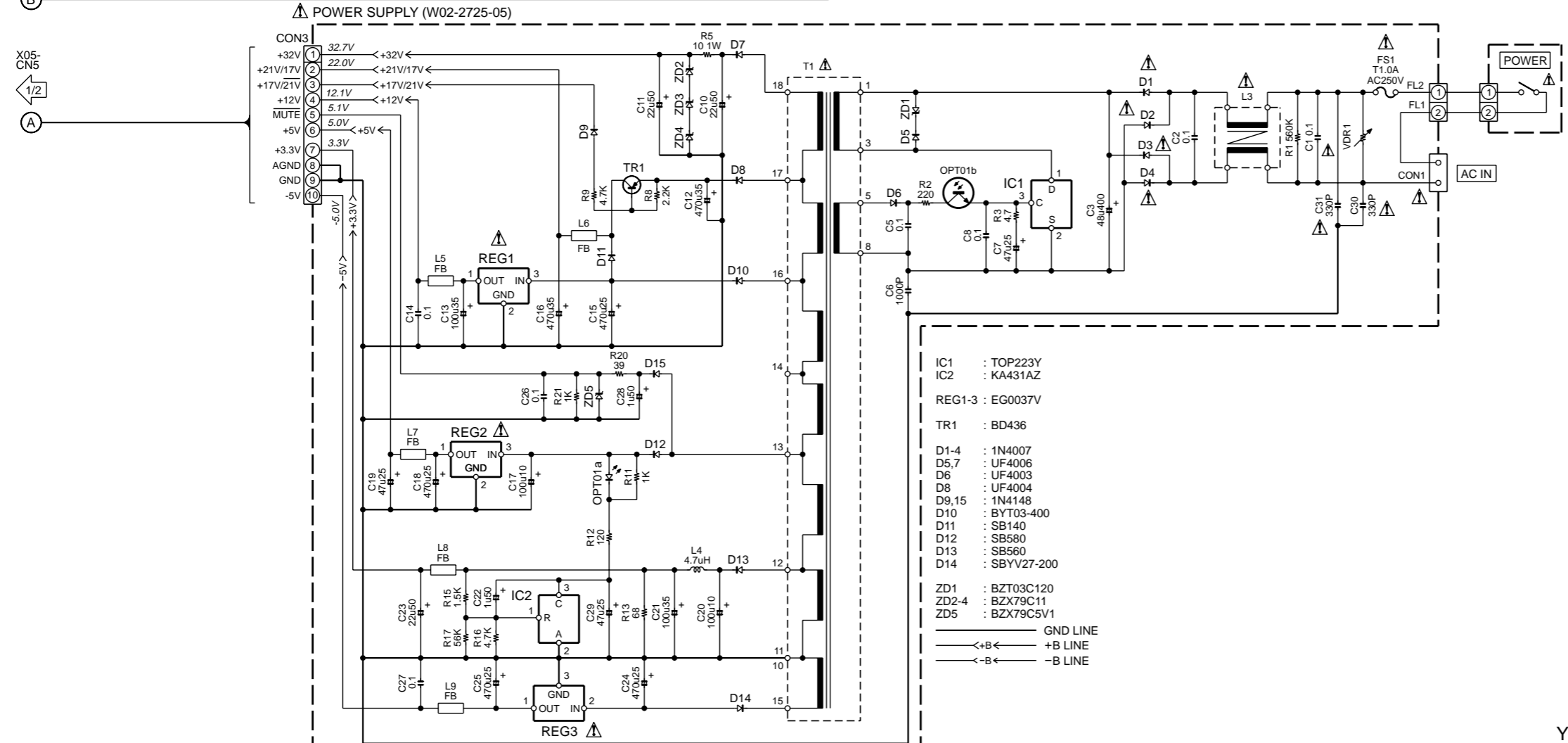
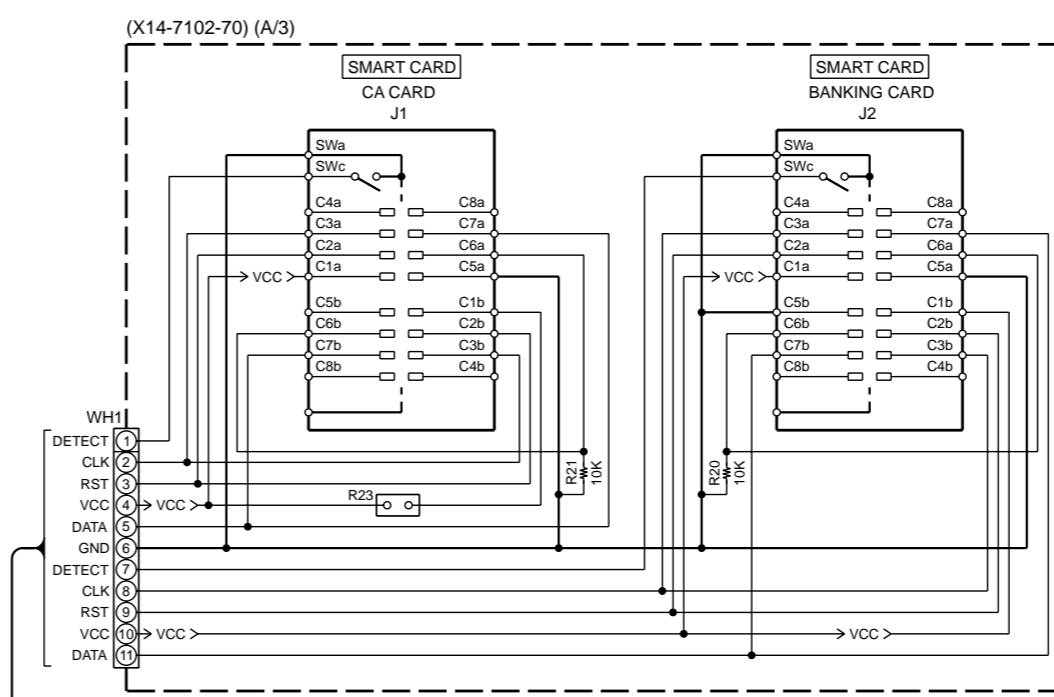
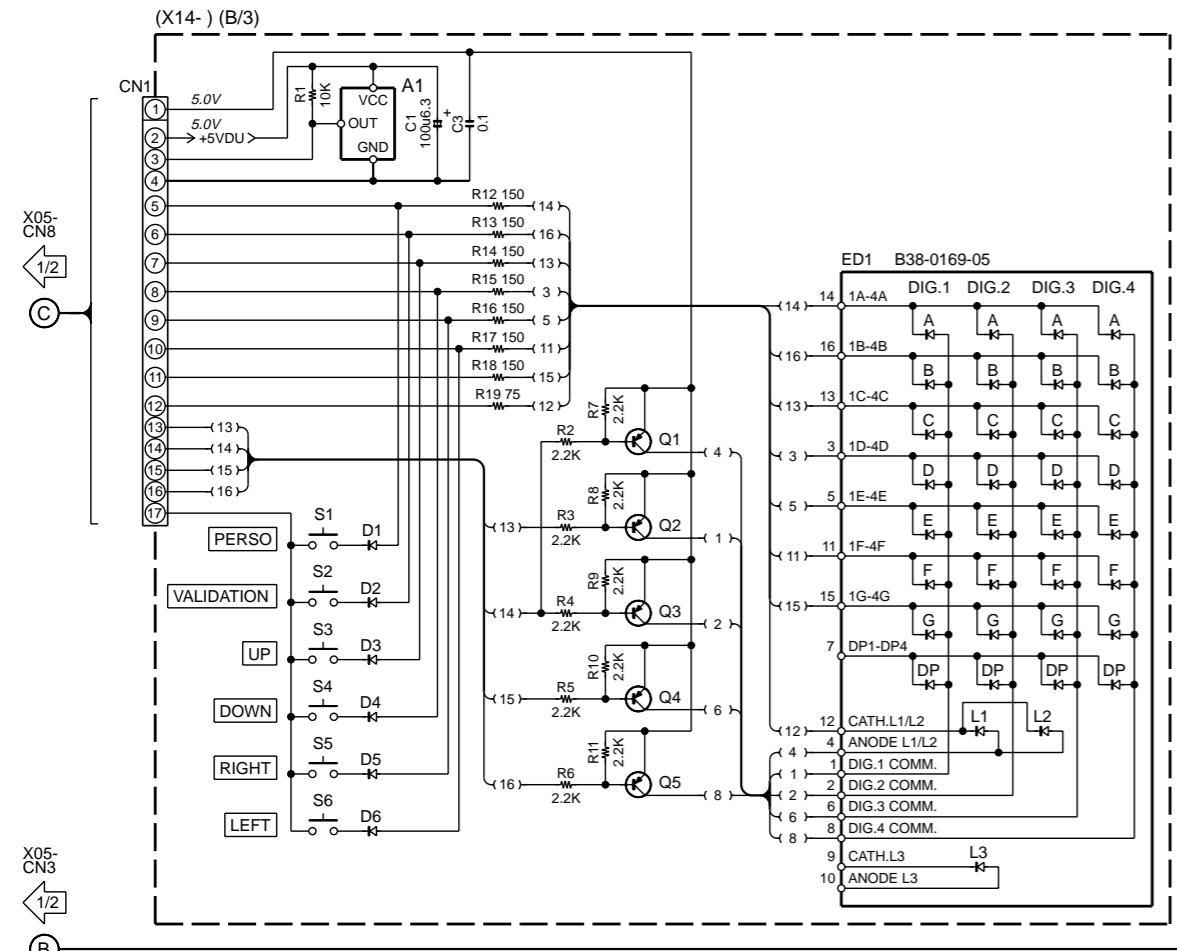
The DC voltage is an actual reading measured with a high impedance type voltmeter with no signal input. The measurement value may vary depending on the measuring instruments used or on the product.

DTF-2(1/2)

DTF-2

Y07-3892-70

KENWOOD



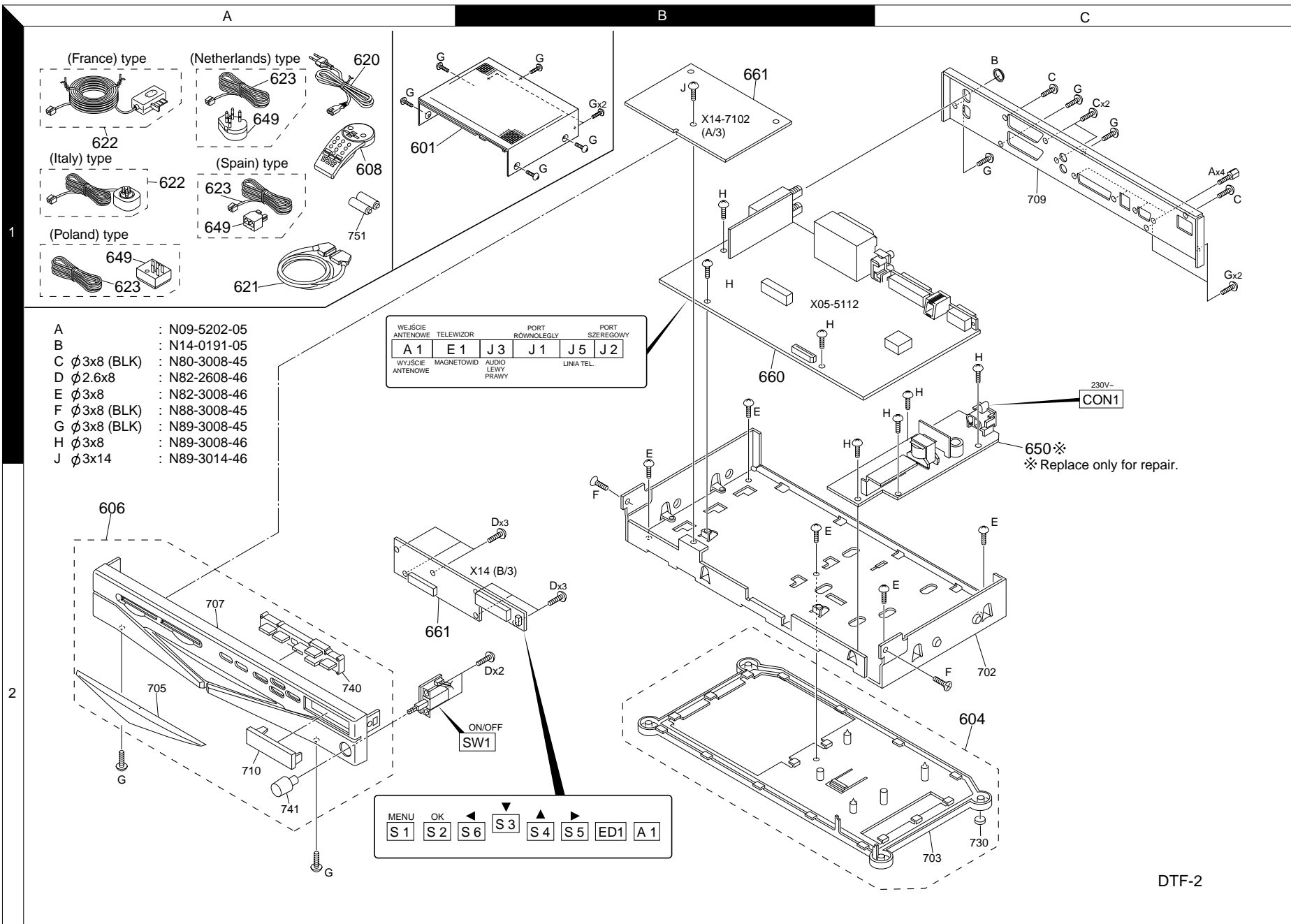
ATTENTION: POWER SUPPLY(W02-2725-05) needs replace only for repair.

CAUTION: For continued safety, replace safety critical components only with manufacturer's recommended parts (refer to parts list). Δ indicates safety critical components. For continued protection against risk of fire, replace only with same type and rating fuse(s). To reduce the risk of electric shock, leakage-current or resistance measurements shall be carried out (exposed parts are acceptably insulated from the supply circuit) before the appliance is returned to the customer.

The DC voltage is an actual reading measured with a high impedance type voltmeter with no signal input. The measurement value may vary depending on the measuring instruments used or on the product.

EXPLODED VIEW (UNIT)

DTF-2



Parts with exploded numbers larger than 700 are not supplied.

| Ref. No | Add-ress | New Parts | Parts No. | Description | Desti-nation | Re-marks |
|------------------------------|----------|-----------|-------------|--------------------------------|--------------|----------|
| DTF-2 | | | | | | |
| 601 | | | A01-3633-31 | METALLIC CABINET | FPS | |
| 601 | 1A | | A01-3721-21 | METALLIC CABINET | I | |
| 604 | 2C | | A11-1183-02 | SUB CHASSIS ASSY | F | |
| 606 | 2A | | A60-1797-12 | PANEL ASSY | P | |
| 606 | 2A | | A60-1798-12 | PANEL ASSY | | |
| 606 | 2A | | A60-1800-12 | PANEL ASSY | I | |
| 606 | 2A | | A60-1817-02 | PANEL ASSY | S | |
| 608 | 1A | | A70-1286-05 | REMOTE CONTROLLER ASSY | F | |
| 608 | 1A | | A70-1323-05 | REMOTE CONTROLLER ASSY | I | |
| 608 | 1A | | A70-1327-05 | REMOTE CONTROLLER ASSY | P | |
| 608 | 1A | | A70-1362-05 | REMOTE CONTROLLER ASSY | S | |
| - | | | B59-1442-00 | SUB-INSTRUCTION MANUAL | P | |
| - | | | B60-4190-00 | INSTRUCTION MANUAL | F | |
| - | | | B60-4440-00 | INSTRUCTION MANUAL | I | |
| - | | | B60-4443-00 | INSTRUCTION MANUAL | P | |
| - | | | B60-4463-00 | INSTRUCTION MANUAL | I | |
| - | | | B60-4571-00 | INSTRUCTION MANUAL | S | |
| - | | | B60-4572-00 | INSTRUCTION MANUAL | S | |
| Δ 620 | 1A | | E30-2779-05 | AC POWER CORD (INLET) | | |
| 621 | 1A | | E30-2916-05 | CORD WITH CONNECTOR(SCART) | F | |
| 622 | 1A | | E30-2917-05 | CORD WITH CONNECTOR(MODEM) | I | |
| 622 | 1A | | E30-2933-05 | CORD WITH CONNECTOR(MODEM) | S | |
| 623 | 1A | | E30-0000-05 | CORD WITH CONNECTOR(MODEM) | P | |
| 623 | 1A | | E30-2936-05 | CORD WITH CONNECTOR(MODEM) | | |
| - | | | H10-7560-02 | POLYSTYRENE FOAMED FIXTURE | F | |
| - | | | H10-7561-02 | POLYSTYRENE FOAMED FIXTURE | F | |
| - | | | H10-7620-02 | POLYSTYRENE FOAMED FIXTURE | IPS | |
| - | | | H10-7621-02 | POLYSTYRENE FOAMED FIXTURE | IPS | |
| - | | | H13-0331-04 | CARTON BOARD | | |
| - | | | H21-0371-04 | PROTECTION SHEET | | |
| - | | | H25-0232-04 | PROTECTION BAG (235X350X0.03) | | |
| - | | | H50-3291-04 | ITEM CARTON CASE | F | |
| - | | | H50-3525-04 | ITEM CARTON CASE | I | |
| - | | | H50-3547-04 | ITEM CARTON CASE | P | |
| - | | | H50-3658-04 | ITEM CARTON CASE | S | |
| - | | | W01-0986-05 | ADAPTER (MODEM) | S | |
| 649 | 1A | | W01-0978-05 | ADAPTER (MODEM) | P | |
| Δ 650 | 1C | | W02-2725-05 | ELECTRIC CIRCUIT(POWER SUPPLY) | | |
| 660 | 1B | | X05-5112-70 | TUNER UNIT | F | |
| 660 | 1B | | X05-5112-71 | TUNER UNIT | I | |
| 660 | 1B | | X05-5112-72 | TUNER UNIT | P | |
| 660 | 1B | | X05-5112-73 | TUNER UNIT | S | |
| 661 | 2A,1B | | X14-7102-70 | DISPLAY UNIT | | |
| TUNER (X05-5112-70) | | | | | | |
| J1 | | | E58-0026-05 | RECTANGULAR RECEPTACLE | | |
| J2 | | | E58-0025-05 | RECTANGULAR RECEPTACLE | | |
| J3 | | | E63-0122-05 | PIN JACK | | |
| J4 | | | E58-0021-15 | RECTANGULAR RECEPTACLE | | |
| J5 | | | E68-0002-05 | MODULAR JACK | | |
| A1 | | | W02-2723-05 | TUNER ASSY | | |
| DISPLAY (X14-7102-70) | | | | | | |
| A1 | | | W02-2670-05 | OPTIC RECEIVING MODULE | | |

F : France

P : Poland

S : Spain

I : Italy

Δ Indicates safety critical components.

* New Parts

Parts without **Parts No.** are not supplied.Les articles non mentionnes dans le **Parts No.** ne sont pas fournis.Teile ohne **Parts No.** werden nicht geliefert.**Note:**

Component and circuit are subject to modification to insure best operation under differing local conditions. This manual is based on Poland(P) standard, and provides information on regional circuit modification through use of alternate schematic diagrams, and information on regional component variations through use of parts list.

KENWOOD CORPORATION

14-6,Dogenzaka 1 -ohome, Shibuya-ku, Tokyo, 150-8501 Japan

KENWOOD SERVICE CORPORATION

P.O BOX 22745, 2201 East Dominguez St., Long Beach, CA 90801-5745, U.S.A.

KENWOOD ELECTRONICS CANADA INC.

6070 Kesral Road, Mississauga, Ontario, Canada L5T 1S8

KENWOOD ELECTRONICS LATIN AMERICA S.A.

P.O BOX 55-2791, Piso 6 plaza Chases Cl. 47 V. Aquilino de la Guardia Panama, Republic de Panama

KENWOOD ELECTRONICS BRASIL LTDA.

Av. Moema, 170-17, Andar-Cobertura "B", Ed. Maximum Service Center, 04077-020 Moema, São Paulo-Sp-Brasil

KENWOOD ELECTRONICS U.K. LIMITED

KENWOOD House, Dwight Road, Watford, Herts., WD1 8EB., United Kingdom

KENWOOD ELECTRONICS BELGIUM N.V.

Meachelsesteenweg 418, B-1930 Zaventem, Belgium

KENWOOD ELECTRONICS DEUTSCHLAND GMBH

Rembrücker Str. 15, 63150 Heusenstamm, Germany

KENWOOD ELECTRONICS FRANCE S.A.

13 Boulevard Ney, 75018 Paris, France

KENWOOD ELECTRONICS ITALIA s.p.a.

Via G. Simon, 7/9 20129, Milano, Italy

KENWOOD IBÉRICA S.A.

Bofivia, 239-08020 Barcelona, Spain

KENWOOD ELECTRONICS AUSTRALIA PTY. LTD.

(A.C.N. 001 499 074)

16 Giffnock Avenue, North Ryde, N.S.W. 2113, Australia

KENWOOD ELECTRONICS (HONG KONG) LTD.

Unit 3712-3724, Level 37, Tower 1, Metroplaza 223 Hing Fong Road, Kwai Fong N.T., Hong Kong

KENWOOD ELECTRONICS GULF FZE

P.O.Box 61318, Jebel Ali, Dubai, U.A.E.

KENWOOD ELECTRONICS SINGAPORE PTE LTD.

No. 1, Genting Lane #02-02, KENWOOD Building, Singapore, 349544

KENWOOD ELECTRONICS (MALAYSIA) SDN BHD.

#4.01 Level 4, Wisma Academy Lot 4A, Jalan 19/1 46300 Petaling Jaya Selangor Darul Ehsan Malaysia

KENWOOD ELECTRONICS (THAILAND) CO., LTD.

2019 New Pechburi Road, Bangkapi, Huaykwang, Bangkok, 10320 Thailand

KENWOOD ELECTRONICS BRETAGNE S.A.

Rue Saint-Exupéry 35150 Janzé France